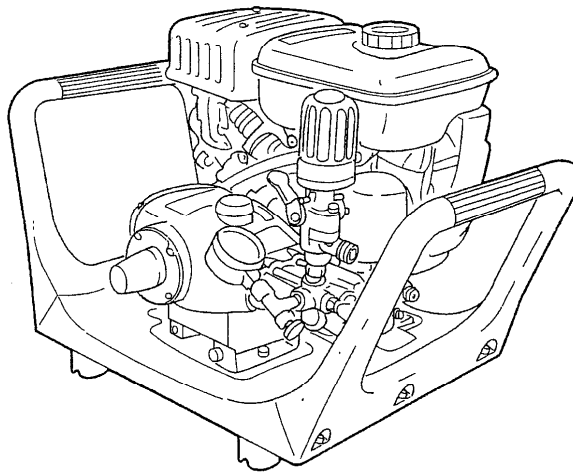


Parts List

MODEL: CSP-425D4

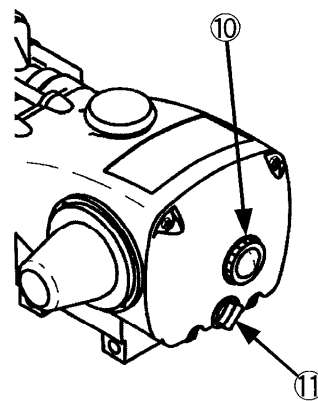
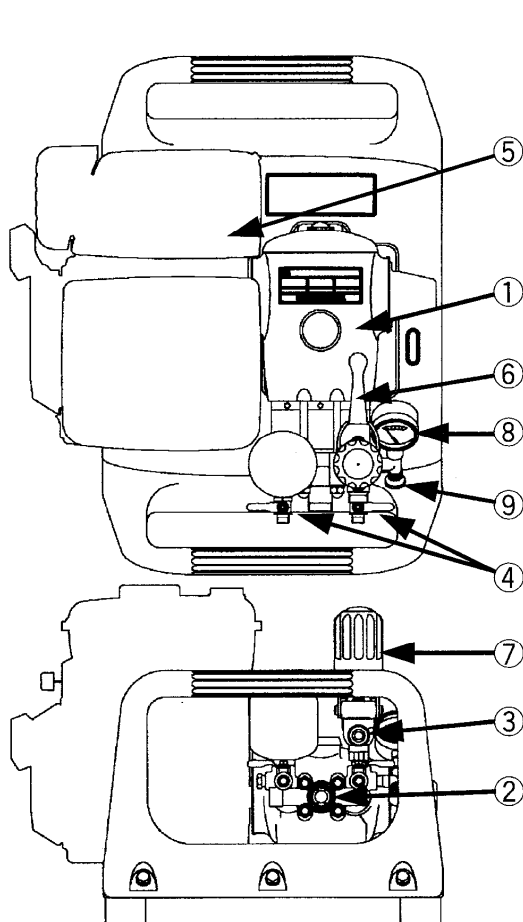


PORTABLE POWER SPRAYER

● Specifications

Model:	CSP-425D4
Dimension:	586mm x 476mm x 384mm (L x W x H)
Net weight (at dry):	24.6kg
Pump:	
Model	SEH-20 (Horizontal triplex plunger pump)
Max. pressure	4.0Mpa (41kgf/cm ²)
Revolution speed	1800min ⁻¹ (rpm)
Engine	
Model	Mitsubishi GB130LN-113
Exhaust volume	126cm ³
Rated output	2.3kW(3.1ps)/1800min ⁻¹ (rpm)
Max. output	3.0kW(4.2ps)
Max. suction volume:	20.5 l/min.
Suction hose:	G3/4 x 2.7m
Overflow hose:	G1/2 x 2.7m

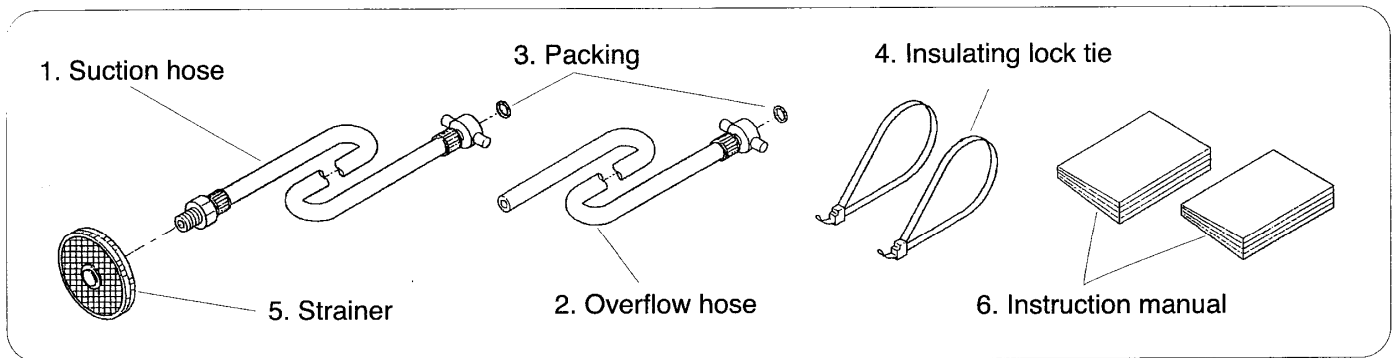
● Name and function of each part



No.	Description	Function
①	Pump	Discharging chemical solution to nozzle
②	Suction port	Port to connect suction hose
③	Overflow port	Port to connect overflow hose
④	Ball cock	Port(s) to connect spray hose(s)
⑤	Engine	Driving pump
⑥	Pressure discharge lever	Switching pressurization/exhaust pressure
⑦	Pressure control dial	Adjusting pressure level
⑧	Pressure gauge	Indicating pressure value
⑨	Gauge valve	Adjusting gauge range
⑩	Oil gauge(pump)	Using to check the oil level in crankcase
⑪	Drain plug(pump)	Remove at oil change

● Standard accessories

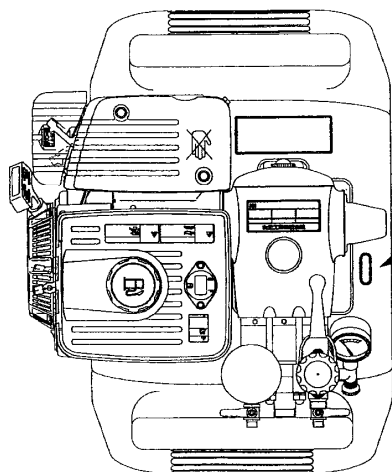
Your unit has been carefully packed at the factory to prevent damage during shipping and storage. Carefully unpack the carton box. Notify your dealer immediately if a part is missing or damaged.



No.	Parts name	Description
1	Suction hose	Connect to suction port
2	Overflow hose	Connet to overflow port
3	Packing	Put to prevent water leakage from a connection
4	Insulating lock tie	Use to fix suction/overflow hoses
5	Strainer	Put on the suction hose to prevent the pump from taking in dust/trash
6	Instruction manual	2 kinds of instruction manual, one for Portable power sprayer and other for Engine
7	Spare parts list	

● After-sales service

Contact your distributor/representative for machine failure, queries, and services with the following information.



* Model : CSP-425D4

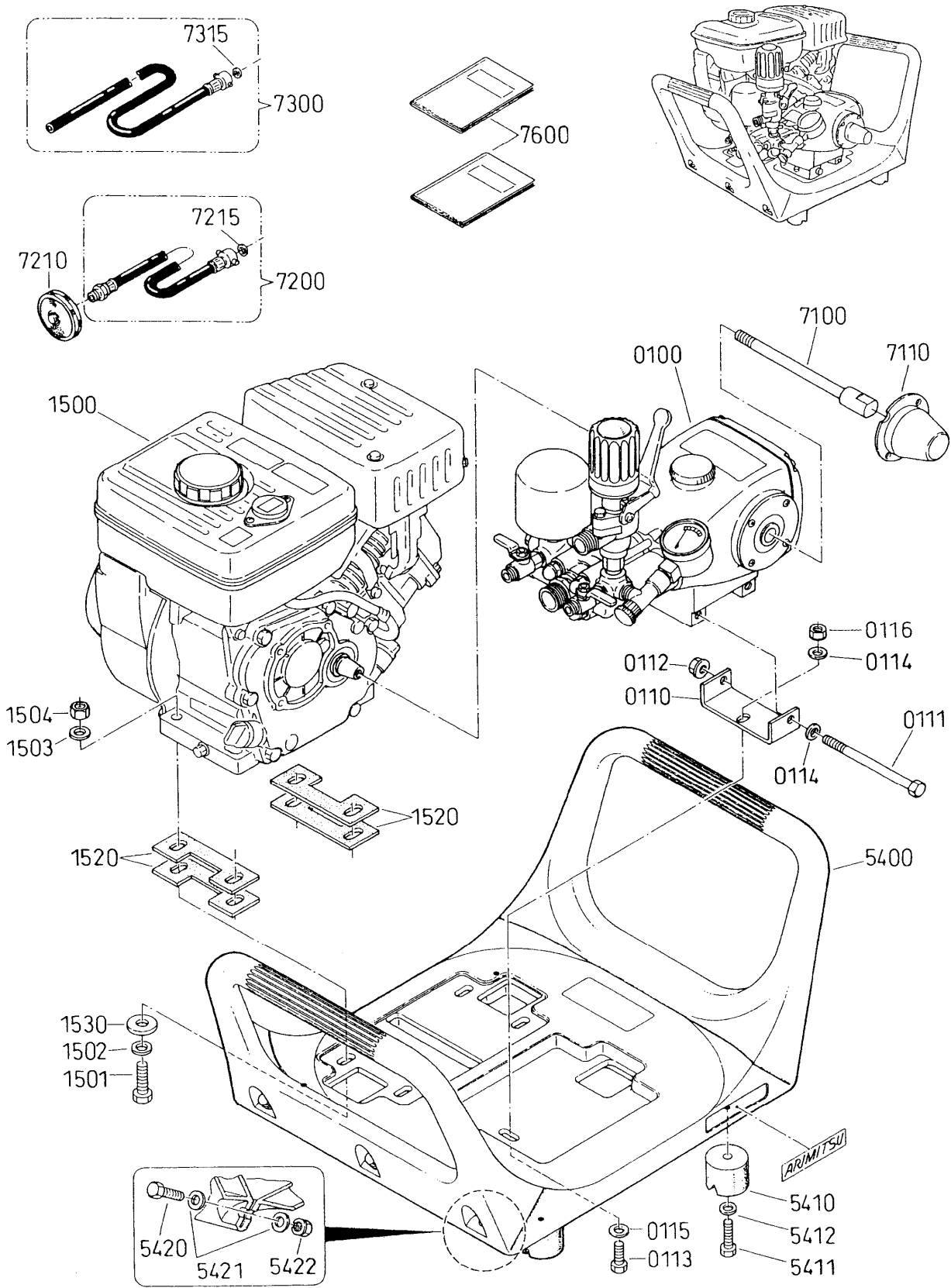
* Serial number: X X X X X X X (7 digits number)

There is two serial number, one is for body and the other for pump.

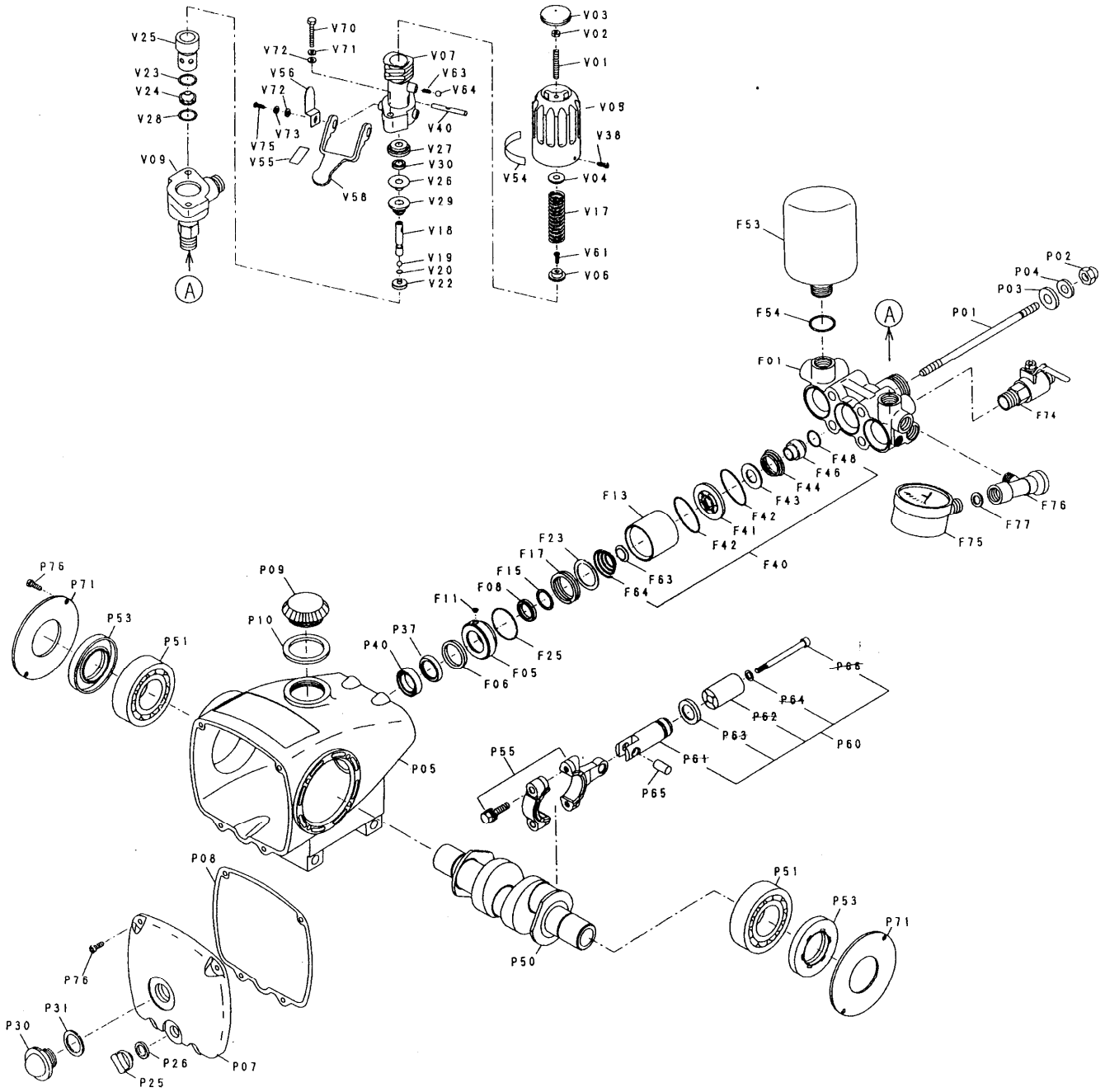
SUPPLY LIABILITY OF SPARE PARTS

The time-limit to supply spare parts for this unit shall be for nine years after the stop of production. However, some special parts are subject to consultation even if they are required before expiration of supply period.

MODEL: CSP-425D4



MODEL: CSP-425D4



MODEL: CSP-425D4

REF. NUM	LEDGER LINEA	PART CODE CODIGO	DESCRIPTION	DESCRIPCION	Q'TY CANTID. AD	REMARKS
0100	111	013080	SEH-20		1	
0110	3	A013B50110	BRACKET		1	
0111	3	9101B08110	BOLT, HEX HEAD		1	
0112	3	0256102240	FLANGE NUT		1	
0113	3	9101B06020	BOLT		1	
0114	3	D105003211	WASHER		1	
0115	3	9162B06000	FLAT WASHER		1	
0116	3	9153B06000	SPRING NUT		1	
1500	3	E13G020302	ENGINE GB-130LN-113		1	
1501	3	9101B08060	BOLT		4	
1502	3	B320730102	FLAT WASHER		4	
1503	3	9160B08000	FLAT WASHER		4	
1504	3	9153B08000	SPRING NUT		4	
1520	3	A013B51520	PACKING A		4	
1530	3	A013B51530	PACKING B		4	
5400	3	A013B55400	FRAME		1	
5410	3	A0245052001	VIBRATION ABSORBER		4	
5411	3	9101B08035	BOLT		4	
5412	3	9160B08000	FLAT WASHER		4	
5420	3	9101B08025	BOLT		6	
5421	3	9160B08000	FLAT WASHER		12	
5422	3	9153B08000	SPRING NUT		6	
7100	3	0130804250	BOLT		1	
7110	3	0240004440	COVER		1	
7200	3	0XA4470000	SUCTION HOSE		1	
7210	3	0XB4546210	STRAINER		1	
7215	3	9209A20018	GASKET		1	
7300	3	0XE3420000	OVERFLOW HOSE		1	
7315	3	9209A15012	GASKET		1	
F01	3	0130801010	CYLINDER		1	
F05	3	0130001200	PACKING GLAND		3	
F06	3	0130001210	GREASE SEAL		3	
F08	3	01300014K0	GLAND PACKING		6	
F11	3	0130001080	CAP		3	
F13	3	0130001300	STUFFING BOX		3	
F15	3	0130001430	MALE ADAPTER		3	
F17	3	0130001450	SPRING		3	
F23	3	0130001290	ADAPTER		3	
F25	3	9203B15030	O-RING		3	
F40	3	013000330A	VALVE ASSY		3	
F41	3	01300033201	SEAT		3	
F42	3	9203E15029	O-RING		6	
F43	3	01300033501	DISK		3	
F44	3	0130003370	SPRING		3	
F46	3	0130003390	GUIDE		3	
F48	3	0040003330	O-RING		3	
F53	3	01500030101	AIR CHAMBER		1	
F54	3	0150003140	O-RING		1	
F63	3	01300038501	DISK		3	

MODEL: CSP-425D4

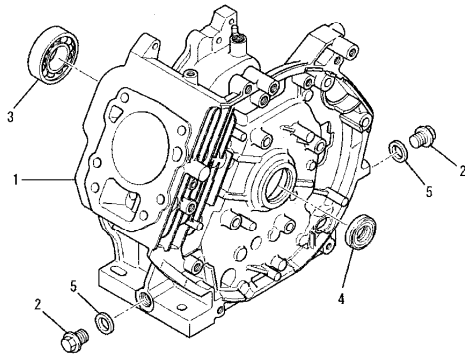
REF. NUM	LEDGER LINEA	PART CODE CODIGO	DESCRIPTION	DESCRIPCION	Q'TY CANTID. AD	REMARKS
F64	3	0130003870	SPRING		3	
F74	3	B25A774643	BALL COCK		2	
F75	3	G50021843L	GAUGE		1	
F76	3	0130003160	GAUGE VALVE ASSY		1	
F77	3	9208A08006	GASKET		1	
P01	3	0046501100	STUD BOLT		4	
P02	3	9150B08000	HEX. CAP NUT		4	
P03	3	9162B08000	FLAT WASHER		4	
P04	3	9163F08000	SPRING WASHER		4	
P05	3	0240002010	CRANK CASE		1	
P07	3	0240002040	CRANK CASE COVER		1	
P08	3	0240002050	GASKET		1	
P09	3	0350002300	OIL CAP		1	
P10	3	0350002330	PACKING		1	
P25	3	0090002320	DRAIN PLUG		1	
P26	3	0090002340	GASKET		1	
P30	3	0090002600	OIL GAUGE		1	
P31	3	0090002610	GASKET		1	
P37	3	0276101730	WATER SLINGER		3	
P40	3	0090002400	OIL SEAL		3	
P50	3	0130804010	CRANK SHAFT		1	
P51	3	9180630500	BEARING		2	
P53	3	0256004030	OIL SEAL		2	
P55	3	0240004600	CONNECTIONG ROD ASSY		3	
P60	3	01308047S0	PLUNGER ASSY		3	
P65	3	0150004900	PLUNGER PIN		3	
P71	3	02560044201	COVER		2	
P76	3	9136A05016	TAPPING SCREW		12	
V00	3	0V15565000	PRESSURE REGULATOR		1	
V01	3	0V15505010	SCREW		1	
V02	3	9142B06000	HEX. NUT		1	
V03	3	0V15505013	CAP		1	
V04	3	0V15505040	ADAPTOR		1	
V05	3	0V15505020	PRESSURE CONTROL DIAL		1	
V06	3	0V15505060	ADAPTOR		1	
V07	3	0V15505070	CASE		1	
V09	3	0V15565200	BODY		1	
V17	3	0V02205170	SPRING		1	
V18	3	0V15505180	PISTON		1	
V19	3	0V02005860	BALL 3/16		1	
V20	3	0V15505195	O-RING		1	
V22	3	0V04005220	DISK		1	
V23	3	9203E10018	O-RING		1	
V24	3	0V15505240	SEAT		1	
V25	3	0V15505250	GUIDE		1	
V26	3	0V15505260	GUIDE		1	
V27	3	0V15505270	ADAPTER		1	
V28	3	9201E20014	O-RING		1	

MODEL: CSP-425D4

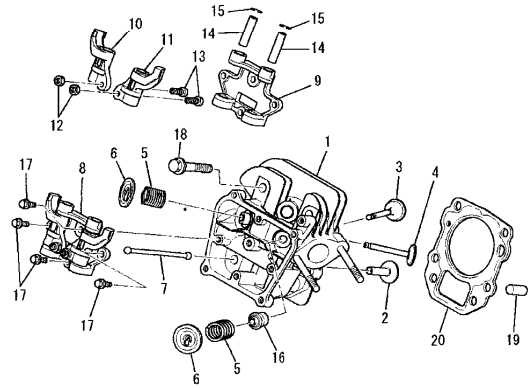
REF. NUM	LEDGER LINEA	PART CODE CODIGO	DESCRIPTION	DESCRIPCION	Q'TY CANTID. AD	REMARKS
V29	3	0V15505320	BELLOWS		1	
V30	3	0V02005300	PACKING		1	
V38	3	9130B03010	PAN HEAD SCREW		1	
V40	3	0V15505840	PIN		1	
V54	3	0V15505500	LABEL		1	
V55	3	0V15505510	LABEL		1	
V56	3	0V15505540	PLATE		1	
V58	3	0V15505800	LEVER		1	
V61	3	0V15505830	SCREW		1	
V63	3	0V15505850	SPRING		1	
V64	3	0V15505860	BALL		1	
V70	3	9100B06032	HEX. BOLT		2	
V71	3	9163F06000	SPRING WASHER		2	
V72	3	9160B06000	FLAT WASHER		4	
V73	3	9163F05000	SPRING WASHER		2	
V75	3	9136A05008	SCREW		1	

ENGINE: GB-130LN-113

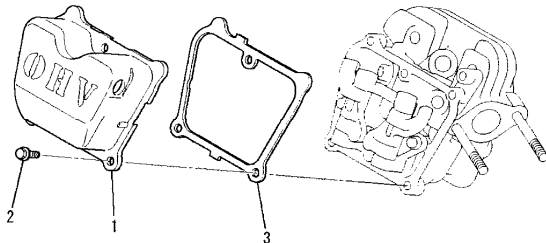
A CYLINDER BLOCK GROUP



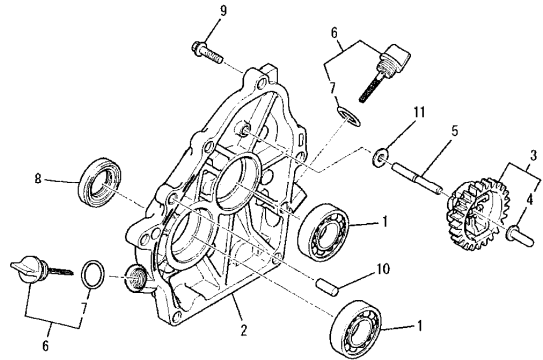
B CYLINDER HEAD GROUP



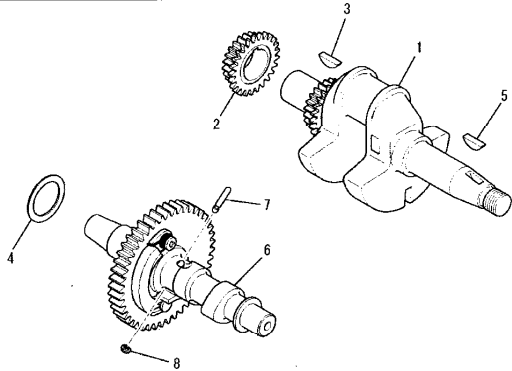
C HEAD COVER GROUP



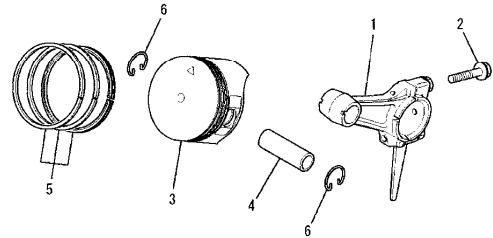
D CASE COVER GROUP



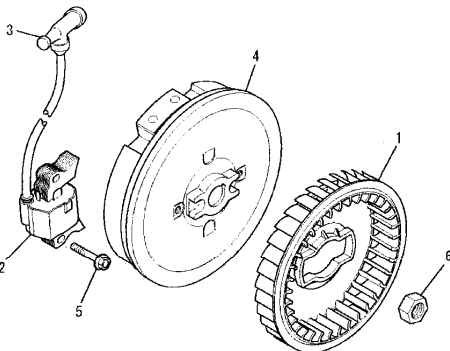
E CRANKSHAFT GROUP



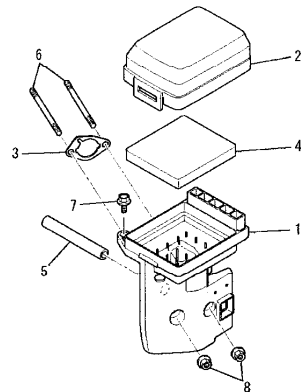
F PISTON & ROD GROUP



G MAGNETO GROUP

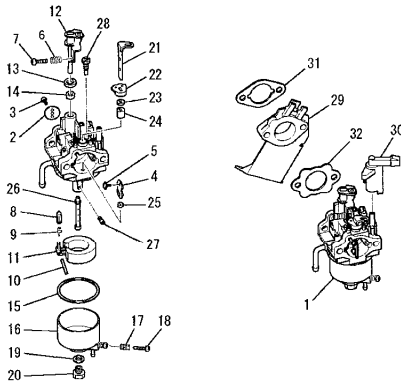


H AIR CLEANER GROUP

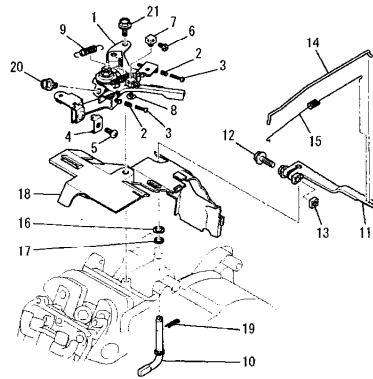


ENGINE: GB-130LN-113

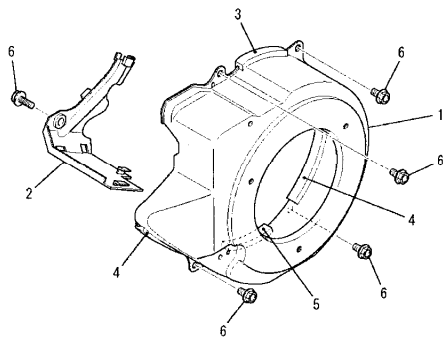
I CARBURETOR GROUP



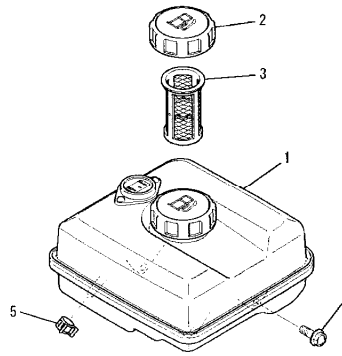
J CONTROL PANEL GROUP



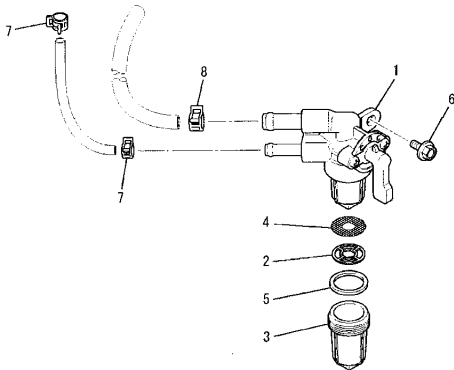
K FAN COVER GROUP



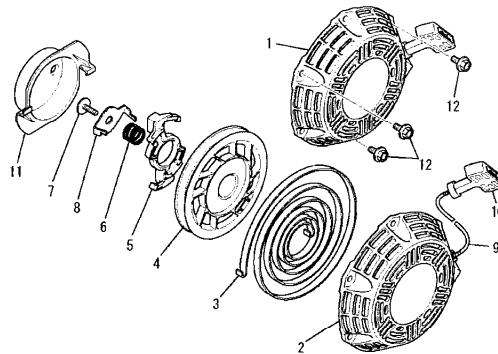
M TANK GROUP



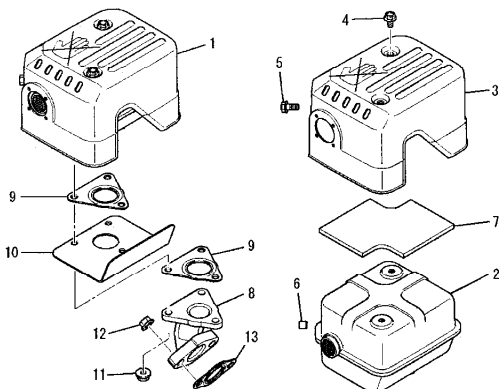
N COCK GROUP



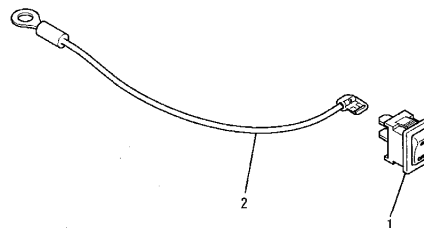
R RECOIL STARTER GROUP



S MUFFLER GROUP

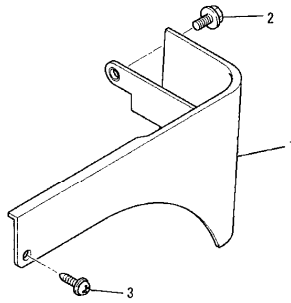


U SWITCH GROUP

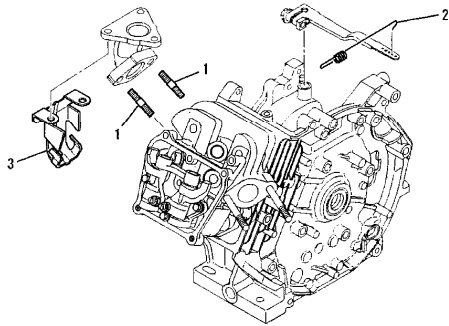


ENGINE: GB-130LN-113

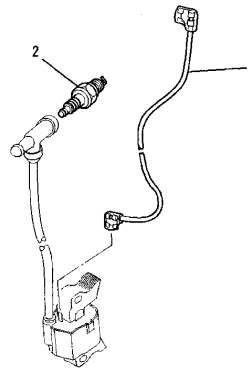
X COVER GROUP



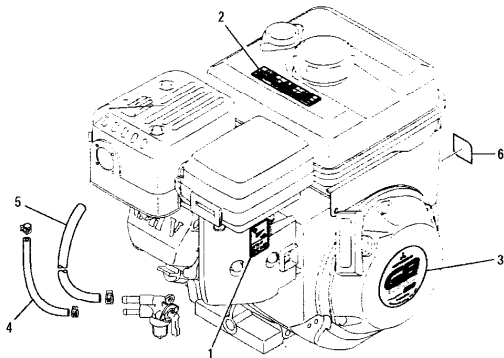
1 BOLT, SPRING, COVER



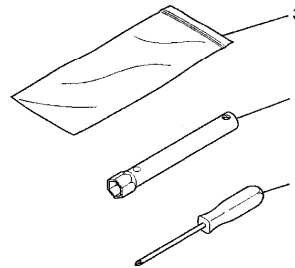
2 LEAD WIRE, PLUG, CAP



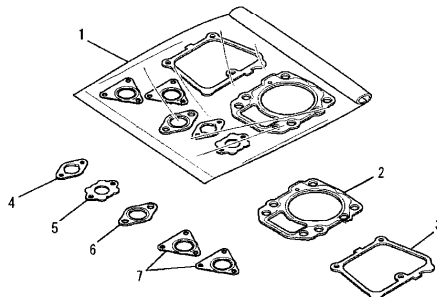
3 LABEL, FUEL HOSE



4 TOOL SET



5 GASKET SET



ENGINE: GB-130LN-113

REF. NUM	LEDGER LINEA	PART CODE CODIGO	DESCRIPTION	DESCRIPCION	Q'TY CANTID. AD	REMARKS
A CYLINDER BLOCK GROUP						
A-1		KB43012AA	CYLINDER BLOCK		1	
A-2		FN11223	PLUG, DRAIN		2	
A-3		FN15746	BEARING, BALL		1	
A-4		FR41845	OIL SEAL		1	
A-5		ZZ70013A	GASKET		2	
B CYLINDER HEAD GROUP						
B-1		KC02060AA	CYLINDER HEAD ASSY		1	WITH B155B06X080
B-2		KV24009AA	TAPPET		2	
B-3		KV33005AA	VALVE, INTAKE		1	
B-4		KV42002AA	VALVE, EXHAUST		1	
B-5		KV55010BA	SPRING, VALVE		2	
B-6		KV64002AA	RETAINER, VALVE SPG		2	
B-7		KV71013AA	ROD, PUSH		2	
B-8		KV02005AA	ROCKER ARM ASSY		1	INCL.NO.9-15
B-9		KV74009AA	PLATE		1	
B-10		KV72012AA	ARM, ROCKER		1	
B-11		KV72013AA	ARM, ROCKER		1	
B-12		KU23013AA	NUT		2	
B-13		KV73004AA	SCREW, ADJUST		2	
B-14		KV75009BA	SHAFT		2	
B-15		FR34111	CLIP, PISTON PIN		2	
B-16		KW21023AA	SEAL, VALVE STEM		1	
B-17		B800A06X016	BOLT, FLANGE		4	
B-18		B800B08X055	BOLT, FLANGE		4	
B-19		KU44001AA	PIN, DOWEL		2	
B-20		KC66014AA	GASKET, HEAD		1	
C HEAD COVER GROUP						
C-1		KC09015AA	HEAD COVER ASSY		1	
C-2		B805B06X012	BOLT, FLANGE		3	
C-3		KW33016AA	GASKET, HEAD COVER		1	
D CASE COVER GROUP						
D-1		FN15746	BEARING, BALL		2	
D-2		KB63006AA	COVER, CRANKCASE		1	
D-3		KG01007AA	GOVERNOR GEAR ASSY		1	INCL.NO.4
D-4		KG14006AA	SLIDER, GOV		1	
D-5		KG22004AA	SHAFT, GOV		1	
D-6		KL21006EA	GAUGE, OIL		2	INCL.NO.7
D-7		KW23003AA	O-RING		2	
D-8		KW23002AA	OIL SEAL		1	
D-9		B800B08X030	BOLT, FLANGE		6	
D-10		KU44001AA	PIN, DOWEL		2	
D-11		W200H06	WASHER		1	
E CRANKSHAFT GROUP						
E-1		KD02066AC	CRANKSHAFT ASSY			INCL.NO.2,3
E-2		KD06005AC	GEAR, CRANKSHAFT			
E-3		KD90016AA	KEY, WOODRUFF			
E-4		KU39008BC	SHIM			

ENGINE: GB-130LN-113

REF. NUM	LEDGER LINEA	PART CODE CODIGO	DESCRIPTION	DESCRIPCION	Q'TY CANTID. AD	REMARKS
E-5		KD90016AA	KEY, WOODRUFF		1	INCL.NO.7,8
E-6		KV01209BC	CAMSHAFT ASSY		1	
E-7		KV83009GF	PIN		1	
E-8		S500P03	SNAP RING		1	
F PISTON & ROD GROUP						
F-1		KD03015AA	CONNECTING ROD ASSY		1	STD INCL.NO.2
F-1		KD03015BA	CONNECTING ROD ASSY		1	US 0.25 INCL.NO.2
F-1		KD03015CA	CONNECTING ROD ASSY		1	US 0.50 INCL.NO.2
F-2		B800B06X030	BOLT, FLANGE		2	
F-3		KP16006AA	PISTON		1	STD
F-3		KP16006BA	PISTON		1	OS 0.25
F-3		KP16006CA	PISTON		1	OS 0.50
F-4		KP55003BA	PIN, PISTON		1	
F-5		KP02008AA	PISTON RING SET		1	STD
F-5		KP02008BA	PISTON RING SET		1	OS 0.25
F-5		KP02008CA	PISTON RING SET		1	OS 0.50
F-6		KP90002AA	CLIP, PISTON PIN		2	
G MAGNETO GROUP						
G-1		KE90245AA	FAN		1	INCL.NO.3
G-2		KE24022AA	COIL, I GNITION		1	
G-3		KE42037AA	CAP, PLUG		1	
G-4		KE12033AA	FLYWHEEL		1	
G-5		B805B06X025	BOLT, FLANGE		2	
G-6		FR41231	NUT		1	
H AIR CLEANER GROUP						
H-1		KA01091AA001	CASE, CLEANER		1	
H-2		KA01092AA002	COVER, CLEANER		1	
H-3		KA01091AA003	PACKING		1	
H-4		KA01091AA004	ELEMENT, CLEANER		1	
H-5		ZZ70002R	TUBE, BREATHER		1	
H-6		B155B06X080	BOLT, STUD		2	
H-7		B800A06X020	BOLT, FLANGE		1	
H-8		N801A06	NUT, FLANGE		2	
I CARBURETOR GROUP						
I-1		KK12047AA	CARBURETOR(F)		1	INCL.NO.2-28
I-2		KK12047AA002	VALVE, THROTTLE		1	
I-3		KK15016AA003	SCREW		2	
I-4		KK12046AA004	VALVE, CHOKE		1	
I-5		KK15016AA005	SCREW		2	
I-6		KK12046AA009	SPRING		1	
I-7		KK12046AA010	SCREW		1	
I-8		KK11011FF100	VALVE, NEEDLE		1	
I-9		KK12008AE011	CLIP		1	
I-10		KK12008AE012	PIN		1	
I-11		KK12008AE013	FLOAT		1	
I-12		KK12047AA015	SHAFT, THROTTLE		1	
I-13		KK12008AE015	PACKING		1	
I-14		KK12008AE016	SEAL		1	

ENGINE: GB-130LN-113

REF. NUM	LEDGER LINEA	PART CODE CODIGO	DESCRIPTION	DESCRIPCION	Q'TY CANTID. AD	REMARKS
I-15		KK14001AA018	GASKET		1	
I-16		KK12008AE023	CHAMBER, FLOAT		1	INCL.NO.17,18
I-17		KK13003AA008	SPRING		1	
I-18		KK12008AE029	SCREW		1	
I-19		KK12008AE026	PACKING		1	
I-20		KK12008AE027	BOLT		1	
I-21		KK12046AA022	LEVER, CHOKE		1	
I-22		KK12008AE018	RING		1	
I-23		KK12008AE019	SEAL		1	
I-24		KK12008AE020	RING		1	
I-25		KK12008AE021	RING		1	
I-26		KK12047AA027	NOZZLE, MAIN		1	
I-27		KK12047AA028	JET, MAIN		1	
I-28		KK74508AA363	JET, PILOT		1	
I-29		KK32006AA	INSULATOR		1	
I-30		KK90058AA	LEVER, CHOKE		1	
I-31		KW34029AA	GASKET, CARBURETOR		1	
I-32		KW34077AA	GASKET, CARBURETOR		1	
J CONTROL PANEL GROUP						
J-1		KG03045BA	CONTROL PANEL ASSY		1	INCL.NO.2-9
J-2		KU80023AA	SPRING		2	
J-3		KU14038BA	SCREW, PAN-CRS		2	L=30
J-4		KU60016AA	CLAMP		1	
J-5		H051D05X012	SCREW, PAN-CRS		1	
J-6		B751A04X008	BOLT, CRS		1	
J-7		KR30013BA	STOPPER		1	
J-8		S500P04	SNAP RING		1	
J-9		KG35010BA	SPRING, RETURN		1	
J-10		KG22020AA	SHAFT, GOV		1	
J-11		KG31027AA	LEVER, GOV		1	INCL.NO.12,13
J-12		B800B06X020	BOLT, FLANGE		1	
J-13		KU23019AA	NUT		1	
J-14		KG41029AA	ROD, GOV		1	
J-15		KG42034AA	SPRING, ROD		1	
J-16		KG90015AA	WASHER		1	
J-17		KG90016AA	SEAL, DUST		1	
J-18		KH40101AA	COVER, TOP		1	
J-19		KU70006AA	CLIP		1	
J-20		B805B06X012	BOLT, FLANGE		1	
J-21		B805B06X016	BOLT, FLANGE		1	
K FAN COVER GROUP						
K-1		KH25015CA	COVER, FAN		1	
K-2		KH40102AA	COVER, CYLINDER		1	
K-3		KH90075DA	RUBBER CUSHION		1	L=70
K-4		KH90075BA	RUBBER CUSHION		2	L=85
K-5		KH90075CA	RUBBER CUSHION		1	L=60
K-6		B805B06X012	BOLT, FLANGE		5	

ENGINE: GB-130LN-113

REF. NUM	LEDGER LINEA	PART CODE CODIGO	DESCRIPTION	DESCRIPCION	Q'TY CANTID. AD	REMARKS
M TANK GROUP						
M-1		KF04125BD	FUEL TANK ASSY		1	INCL.NO.2,3
M-2		KF05021AA	TANK CAP ASSY		1	
M-3		KF40003EA	FILTER, FUEL		1	
M-4		B805B06X020	BOLT, FLANGE		3	
M-5		FR67419	CLIP		1	
N COCK GROUP						
N-1		KF31037AA	COCK, FUEL		1	INCL.NO.2-5
N-2		KF31035AA012	PACKING		1	
N-3		KF31036AA106	CUP		1	
N-4		KF31035AA003	FILTER, FUEL		1	
N-5		KF31035AA102	PACKING		1	
N-6		B800A06X012	BOLT, FLANGE		1	
N-7		FR53226	CLIP		2	
N-8		FR67419	CLIP		1	
R RECOIL STARTER GROUP						
R-1		KS02106AD	RECOIL STARTER ASSY		1	INCL.NO.2-11
R-2		KS20128AD001	CASE, STARTER		1	
R-3		KS20080AD002	SPRING, SPIRAL		1	
R-4		KS20128AD003	REEL		1	
R-5		KS20128AD004	GUIDE		1	
R-6		KS20080AD005	SPRING, BRAKE		1	
R-7		KS20080AD006	SCREW		1	
R-8		KS20128AD007	RETAINER		1	
R-9		KS20080AD009	ROPE		1	
R-10		KS20080AD010	HANDLE		1	
R-11		KS30059AA	PULLEY, STARTER		1	
R-12		B800A06X010K	BOLT, FLANGE		3	
S MUFFLER GROUP						
S-1		KM02146AA	MUFFLER ASSY		1	INCL.NO.2-7
S-2		KM15100AA	MUFFLER		1	
S-3		KM25079AA	COVER, MUFFLER		1	
S-4		B800A06X008K	BOLT, FLANGE		2	
S-5		B800A06X016K	BOLT, FLANGE		1	
S-6		KU50007JA	BUSH		1	
S-7		KM90188AA	GLASS WOOL		1	
S-8		KM30027AA	PIPE, EXHAUST		1	
S-9		KM70064AA	GASKET, MUFFLER		2	
S-10		KM90190AA	PLATE		1	
S-11		N801A06	NUT, FLANGE		3	
S-12		ZZ70028C	NUT, CONICAL SPG		2	
S-13		KM70040AA	GASKET, MUFFLER		1	
U SWITCH GROUP						
U-1		KE80021AA	SWITCH, STOP		1	
U-2		KE90190AA	WIRE, LEAD		1	

REF. NUM	LEDGER LINEA	PART CODE CODIGO	DESCRIPTION	DESCRIPCION	Q'TY CANTID. AD	REMARKS
X COVER GROUP						
X-1		KR40039AA	COVER, FRONT		1	
X-2		B805B06X016	BOLT, FLANGE		1	
X-3		KU12025AA	TAP-SCREW		1	
1 BOLT, SPRING, COVER						
1-1		B155B08X020	BOLT, STUD		2	
1-2		KG34049AB	SPRING, GOV		1	
1-3		KM90182AA	COVER		1	
2 LEAD WIRE, PLUG, CAP						
2-1		KE90177BA	WIRE, LEAD		1	
2-2		FA21273	PLUG, SPARK		1	BP6HS
3 LABEL, FUEL HOSE						
3-1		KW56257AA	LABEL		1	
3-2		KW56256AA	LABEL, CAUTION		1	
3-3		KW56259BA	LABEL, NAME		1	
3-4		P051Y04X160	HOSE, FUEL		1	
3-5		P051Y08X370	HOSE, FUEL		1	
3-6		KW56218AA	LABEL		1	
4 TOOL SET						
4-1		KN12007AA	SPANNER, BOX		1	
4-2		KN13002AA	DRIVER, SCREW		1	
4-3		KN15001AA	BAG, TOOL		1	
5 GASKET SET						
5-1		KW39102AA	GASKET SET		1	INCL.NO.2-7
5-2		KC66014AA	GASKET, HEAD		1	
5-3		KW33016AA	GASKET, HEAD COVER		1	
5-4		KW34029AA	GASKET, CARBURETOR		1	
5-5		KW34077AA	GASKET, CARBURETOR		1	
5-6		KM70040AA	GASKET, MUFFLER		1	
5-7		KM70064AA	GASKET, MUFFLER		2	

<http://www.arimitsu.co.jp> E-mail:info@arimitsu.co.jp

ARIMITSU INDUSTRY CO., LTD.

3-7, Fukaekita 1 chome, Higashinari-ku
 OSAKA, 537-0001 JAPAN
 TEL: (06) 6973-2030 FAX: (06) 6973-2074



RIF. J-08500299-5

printed in Japan